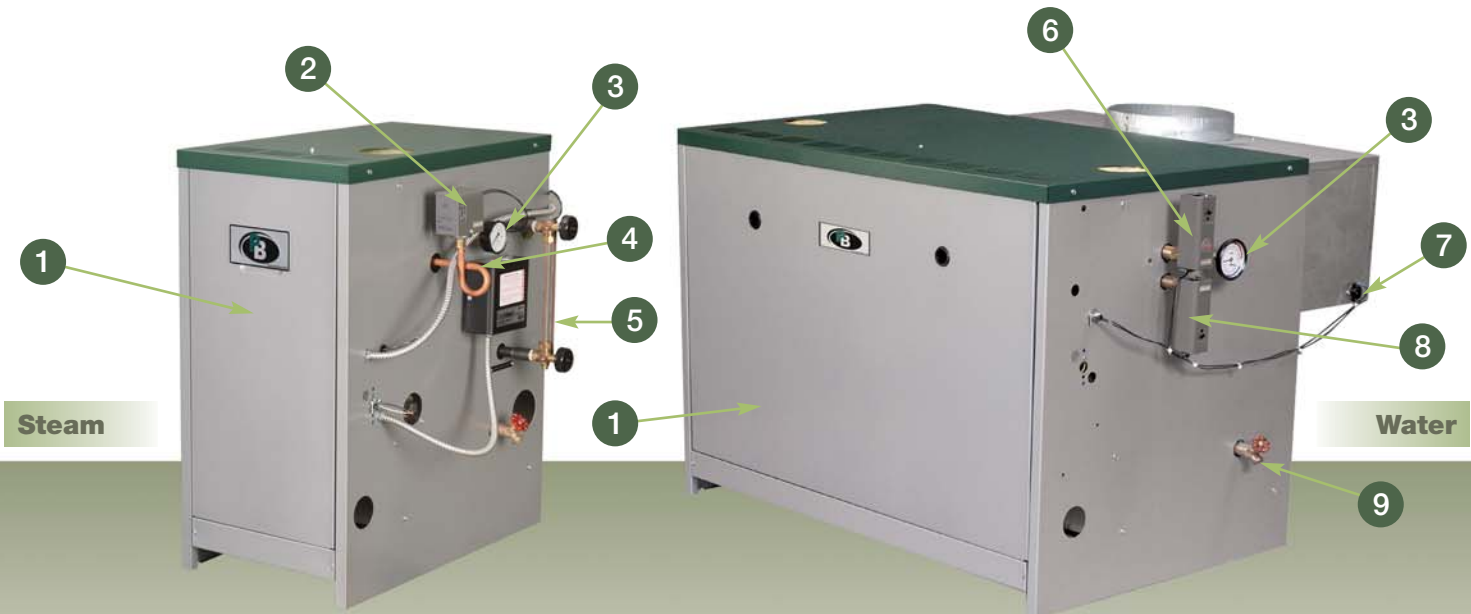




Series 63/64

Residential/Semi-Commercial Gas Boilers



1 Insulated Jacket

2 Pressure Control (Steam)

3 Temperature Pressure Gage

4 Probe LWCO—Float Optional (Steam)

5 Gage Glass (Steam)

6 Limit Control (Water)

7 Blocked Vent Switch

8 Manual Reset Limit Control (Water)

9 Drain Valve

Series 63/64 Boiler Features

- Gas-fired, Cast Iron Boilers for Natural or LP Gas
- Packaged or Knockdown, Hot Water or Steam Boilers
- 13 Sizes, 3–12 Sections; Residential and Commercial
- Natural Draft (Chimney) Venting
- Up to 83.5% AFUE*
- Standing Pilot or Spark Ignition
- Large Water Content—Ideal for Steam and Large Volume Hot Water Applications
- Skim Tapping for Cleaning Steam Boilers
- Steel Push Nipples
- Slide-in, Preassembled Burner Tray
- Low Profile Design

*for residential models

Standard Equipment

- > Cast Iron Sections—Factory Tested & Assembled (3-6 sections) or Split-Assembled (7-12 sections)
- > Honeywell Operating Controls
- > Pre-assembled Wiring Harness
- > Deluxe Insulated Enameled Steel Jacket—Reduces Boiler Heat Loss
- > Blocked Vent Shutoff Switch
- > Flame Roll-Out Shutoff Switch
- > Drain Valve

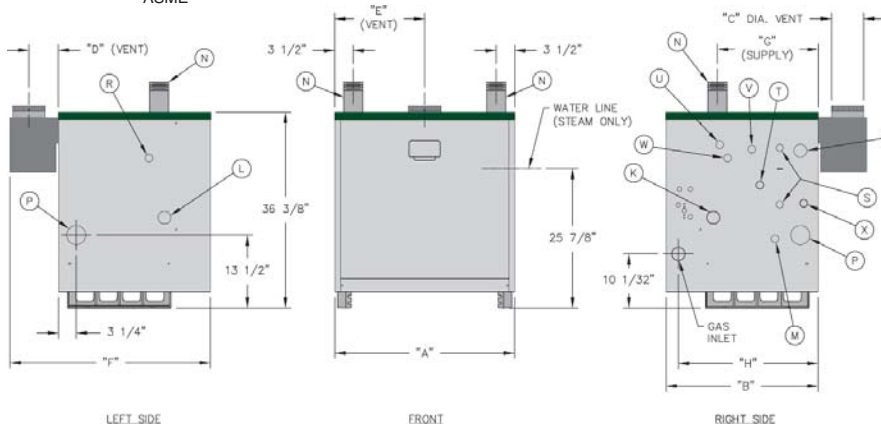
All residential and commercial cast iron boilers include a full one-year warranty. A limited, lifetime warranty is provided for the cast iron sections of Peerless residential hot water boilers. A limited, ten-year warranty is provided for the cast iron sections of residential steam boilers and commercial hot water and steam boilers. Visit PeerlessBoilers.com for complete details.



Technical Information

Tapping Locations

Location	Size N.P.T	Steam	Water
J	1-1/4"	Skim Tapping	Skim Tapping
K	1"	Tank Supply/Limit	N/A
L	1"	Tank Return	N/A
M	3/4"	Boiler Drain	Boiler Drain
N	3"	Supply	Supply
P	2-1/2"	Return	Return
R	3/4"	Safety Valve	Relief Valve
S	1/2"	Gauge Glass	N/A
T	3/4"	Primary Probe Low Water Cut-Off	N/A
U	3/4"	Primary Limit	Primary Limit
V	3/4"	Secondary Limit	Pressure/Temperature Gauge
W	3/4"	Pressure Gauge	Secondary Limit
X	3/4"	Secondary Probe Low Water Cut-Off	N/A



Boiler Dimensions

Boiler Model Number	Jacket Width "A"	Jacket Depth "B"	Vent Size Dia. "C"	Rear of Jkt. to c/l of Vent "D"	Left of Jkt. to c/l of Vent "E"	Overall Depth "F"	Rear of Jkt. to c/l of Supply "G"	Rear of Jkt. to c/l of Gas Inlet "H"	Boiler Model Number	Jacket Width "A"	Jacket Depth "B"	Vent Size Dia. "C"	Rear of Jkt. to c/l of Vent "D"	Left of Jkt. to c/l of Vent "E"	Overall Depth "F"	Rear of Jkt. to c/l of Supply "G"	Rear of Jkt. to c/l of Gas Inlet "H"
63-03L	16-1/8"	28-1/8"	6"	5-5/8"	8-1/16"	37-1/4"	18-11/16"	25-7/8"	64-07	33-1/8"	28-1/8"	9"	6-1/8"	16-9/16"	39-1/4"	18-11/16"	25-7/8"
63-03	16-1/8"	28-1/8"	6"	5-5/8"	8-1/16"	37-1/4"	18-11/16"	25-7/8"	64-08	37-3/8"	30-1/8"	10"	7-1/2"	18-11/16"	43-1/8"	18-15/16"	26-1/8"
63-04L	20-3/8"	28-1/8"	7"	5-1/8"	10-3/16"	37-1/4"	18-11/16"	25-7/8"	64-09	41-5/8"	30-1/8"	10"	7-1/2"	20-13/16"	43-1/8"	18-15/16"	26-1/8"
63-04	20-3/8"	28-1/8"	7"	5-1/8"	10-3/16"	37-1/4"	18-11/16"	25-7/8"	64-10	45-7/8"	30-1/8"	12"	8-1/2"	22-15/16"	45-1/8"	18-15/16"	26-1/8"
63-05L	24-5/8"	28-1/8"	8"	6-5/8"	12-5/16"	39-1/4"	18-11/16"	25-7/8"	64-11	50-1/8"	30-1/8"	12"	8-1/2"	25-1/16"	45-1/8"	18-15/16"	26-1/8"
63-05	24-5/8"	28-1/8"	8"	6-5/8"	12-5/16"	39-1/4"	18-11/16"	25-7/8"	64-12	54-3/8"	30-1/8"	12"	8-1/2"	27-3/16"	45-1/8"	18-15/16"	26-1/8"
63-06	28-7/8"	28-1/8"	9"	6-1/8"	14-7/16"	39-1/4"	18-11/16"	25-7/8"									

Boiler Ratings

Series 63													Water Content		Approximate Shipping Weight (lbs.)
Boiler Model Number	Input, MBH	Heating Capacity ² , MBH		Net I=B=R Ratings ¹			Standing Pilot AFUE ²		Spark Ignition AFUE ²		Water, Gallons	Steam, Gallons			
		Water	Steam	Steam, sqft	Steam, MBH	Water, MBH	Water, %	Steam, %	Water, %	Steam, %					
63-03L	88.5	73	74	233	56	63	80.9	80.6	82.4	83.0	13.2	9.3	465		
63-03	118	99	98	308	74	86	82.1	81.2	83.5	82.6	13.2	9.3	465		
63-04L	147.5	123	123	383	92	107	81.4	80.6	82.7	82.6	15.6	10.8	576		
63-04	177	148	147	458	110	129	82.1	81.0	83.4	82.4	15.6	10.8	576		
63-05L	206.5	172	171	533	129	150	81.9	80.7	82.9	82.3	18.0	12.4	700		
63-05	236	198	196	613	147	172	82.2	80.9	83.3	82.2	18.0	12.4	700		
63-06	287.5	241	238	746	179	210	82.3	80.7	83.2	82.0	20.4	13.9	812		

Series 64											Water Content		Approximate Shipping Weight (lbs.)
Boiler Model Number	Input, MBH	Gross Output ³ , MBH		Net I=B=R Ratings ¹			Thermal Efficiency		Combustion Efficiency ³		Water, Gallons	Steam, Gallons	
		Water	Steam	Steam, sqft	Steam, MBH	Water, MBH	Water, %	Steam, %	Water, %	Steam, %			
64-07	345	286	274	858	206	249	81.0	79.4	83.0	82.5	22.8	15.5	945
64-08	399	331	318	996	239	288	81.0	79.6	83.0	82.5	25.2	17.0	1081
64-09	460	382	367	1146	275	332	81.0	79.7	83.0	82.5	27.6	18.6	1218
64-10	518	430	413	1292	310	374	81.0	79.8	83.0	82.5	30.0	20.1	1354
64-11	575	477	459	1433	344	415	81.0	79.8	83.0	82.5	32.4	21.7	1490
64-12	633	525	506	1583	380	457	81.0	79.9	83.0	82.4	34.8	23.2	1527

1 Net I=B=R Ratings are based on DOE Heating Capacity or Gross Output less an allowance for normal piping and pickup as determined by the Testing and Rating Standard for Low Pressure Cast Iron Heating Boilers of the Hydronics Institute. Water ratings are based on a piping and pickup factor of 1.15. Steam ratings are based on a piping and pickup factor of 1.33. Consult us before selecting a boiler for gravity hot water installations or for installations having unusual piping and pickup requirements such as exposed piping, night set-back, etc. Ratings shown are for elevations up to 2,000 feet. For elevations above 2,000 feet, ratings should be reduced at the rate of 4% for each 1,000 feet above sea level.

2 Heating Capacity and Annual Fuel Utilization Efficiency (AFUE) ratings are based on U.S. Government tests. Before purchasing this appliance, read important information about its estimated annual energy consumption or energy efficiency rating that is available from your retailer.

3 Combustion efficiency and gross output are determined in accordance with ANSI Z21.13 / CSA 4.9, Gas-Fired Low-Pressure Steam and Hot Water Boilers.



PeerlessBoilers.com



Printed on Recycled Paper

PeerlessBoilers.com

CUT-63/64 R1 (12/10-5M)
Printed in U.S.A. © 2010